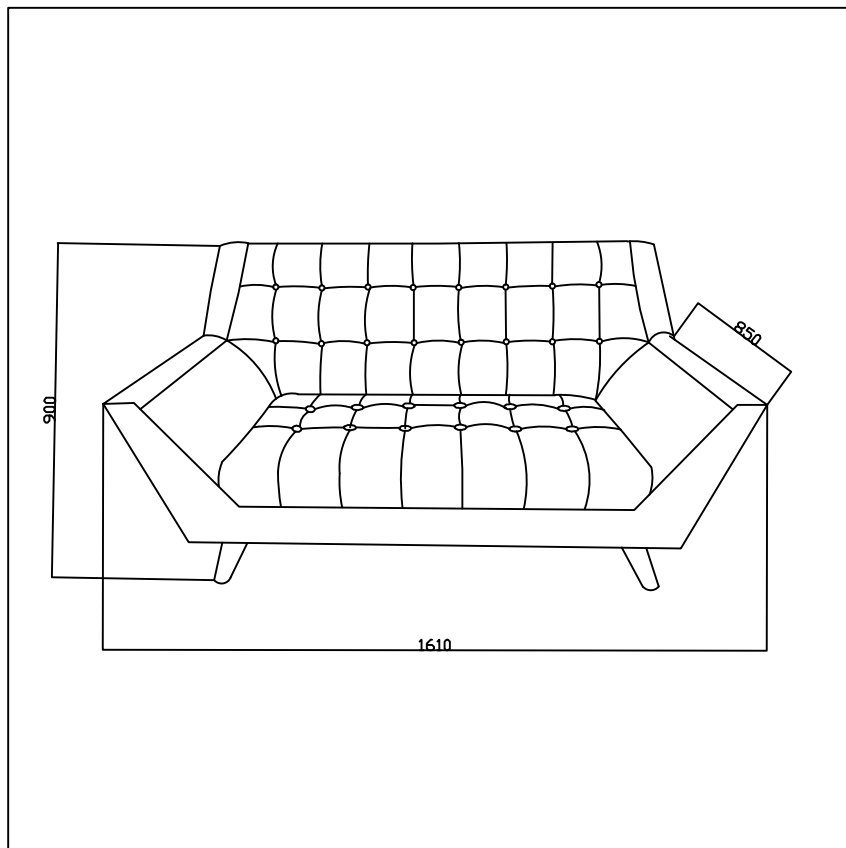




ASSEMBLY INSTRUCTION
BIANCO 2 SEATER SOFA
ITEM CODE 66918

Imported by Amart furniture Pty Ltd, Qld, Brisbane Australia.
For any assistance with assembly or for missing parts please phone
Amart furniture ,Customer Service Free call 1800 351 084

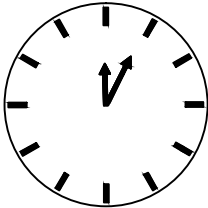



Imported by Amart Furniture Pty Ltd, Qld, Brisbane Australia.
For any assistance with assembly or for missing parts please phone
Amart Furniture, Customer Service Free Call 1800 351 084

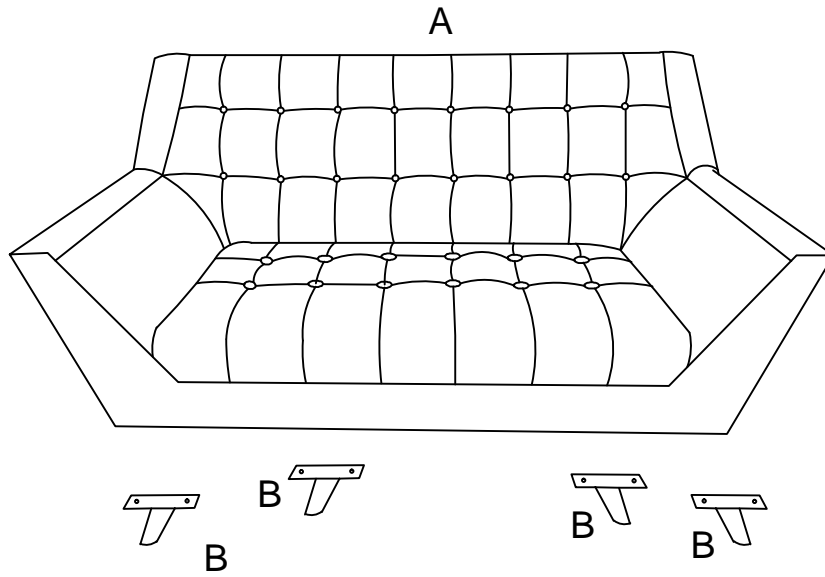
PRE-ASSEMBLY PREPARATION

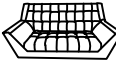
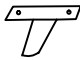




Before you start:

1. Choose a clean, level, spacious assembly area. Avoid hard surfaces that may damage the product
2. Take care when lifting. Product be assembled as near as possible to the point of use
3. Ensure that you have all required contents for complete assembly
4. Always read the assembly instructions carefully before beginning assembly
5. Keep all hardware parts and packaging out of small children
6. Do not over tighten the screws and bolts as this may damage the threads

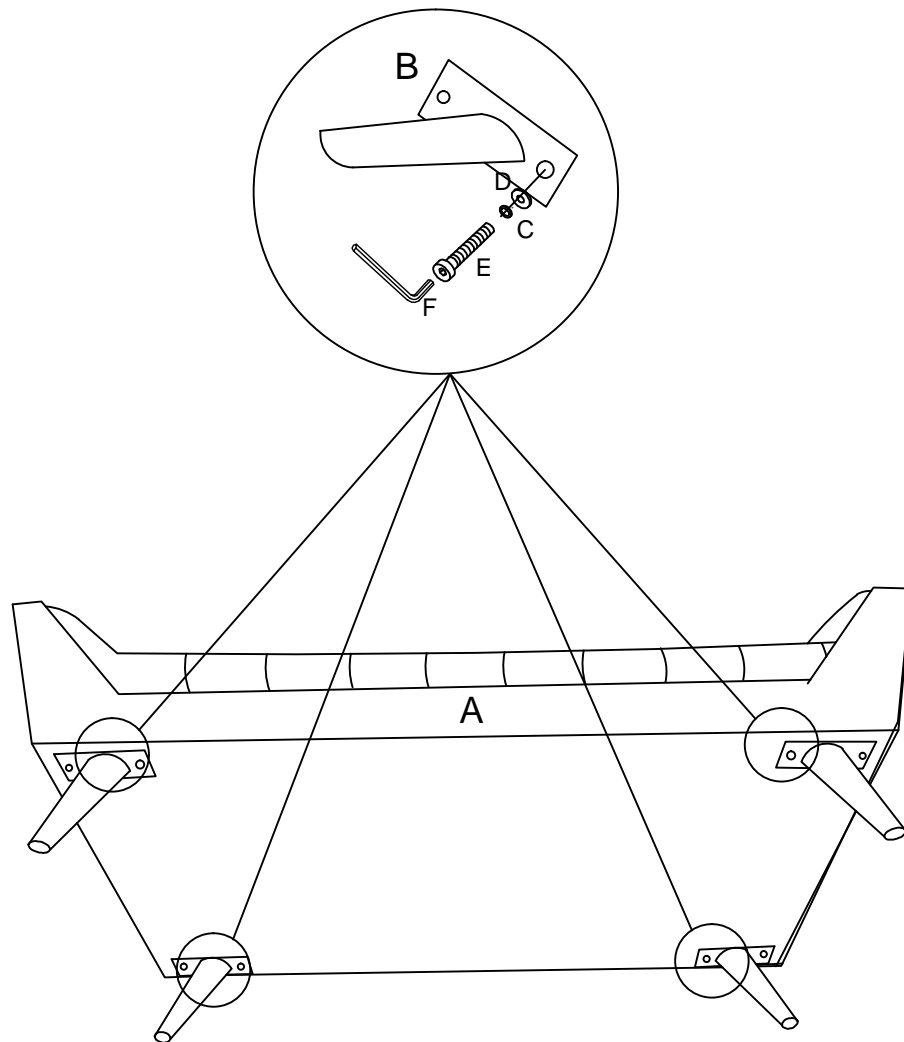
	
ALLOW 5 MINUTES	2 PEOPLE REQUIRED

PARTS LIST

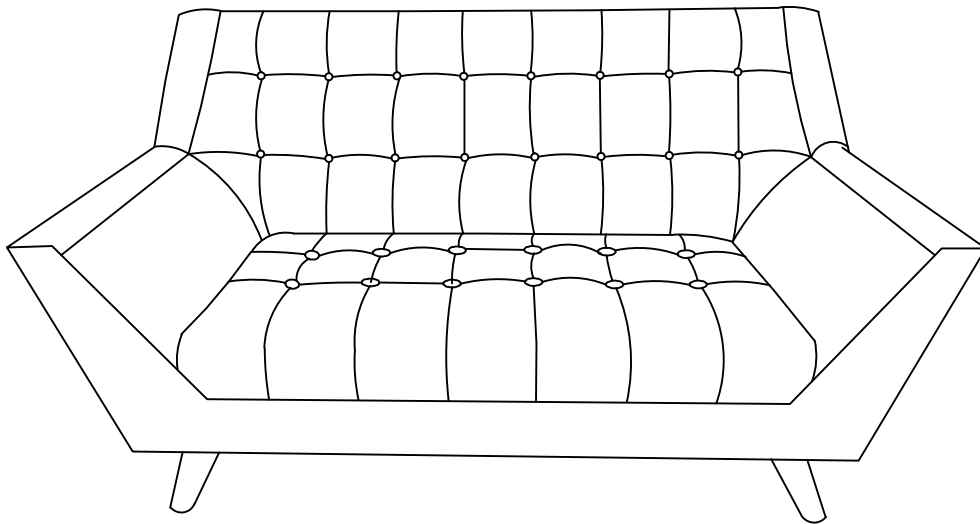


<p>A.1PC</p>  <p>Base frame</p>	<p>B.4PCS</p>  <p>Leg</p>	<p>C.8PCS</p>  <p>Spring Washer</p>	<p>D.8PCS M8 0.1x1.8cm (external diameter)</p>  <p>Flat Washer</p>	<p>E.8PCS M8 * 3cm</p>  <p>Bolt</p>	<p>F.1PC*M5</p>  <p>Allen Key</p>
--------------------------------------------------------------------------------------------------------------------	--------------------------------------------------------------------------------------------------------------	------------------------------------------------------------------------------------------------------------------------	---------------------------------------------------------------------------------------------------------------------------------------------------------------	------------------------------------------------------------------------------------------------------------------------------	------------------------------------------------------------------------------------------------------------------------

STEP 1 With 2 people carefully turn couch over onto sheet or cardboard to avoid damage. Attach leg(B) to base frame(A), putting spring washer(C) up on flat washer(D), using bolt(E) with C and D, then fasten by allen key(F).



ASSEMBLY IS COMPLETE



IMPORT:PLEASE ENSURE FEET ARE TIGHTENED SECURELY BEFORE USE!
WARNING-Do not drag lounge on any surface due to timber base,must be lifted.
Two Person Lift Recommended

Fabric Care and Maintenance



REGULAR CARE:

- Protect from direct sunlight
- Vacuum regularly using low suction
- Rotate reversible cushions regularly

CLEANING:

- Do not remove cushion covers for separate cleaning even though they may have zippers
- Do not wash, Do not dry clean, Do not shampoo clean
- Clean with hot water extraction machine. Professional cleaning recommended
- Do not use dishwashing liquid or laundry detergent
- Use only upholstery detergents
- Do not wet filling
- Dry in shade away from direct heat and sunlight
- Allow to dry thoroughly before re-use

SPOT CLEANING:

- Do not rub
- Do not spot clean with any solvent
- Treat spills and stains as soon as possible
- Gently scrape off any soil or mop any liquid from the surface of the fabric
- Apply proprietary cleaning agents strictly according to instructions to remove the residue of the spill
- Do not saturate the fabric or interior with water or other cleaning liquids

WARNING:

Apply only water-based soil resist (fabric protection) treatments. Do not use aerosol products

* PILLING IS NOT A FABRIC DEFECT OR FAULT AND IS NOT COVERED BY WARRANTY

* PILLING IS A NORMAL OCCURRENCE CAUSED BY WEAR AND TEAR AND DOES NOT AFFECT THE DURABILITY OR FUNCTIONALITY OF THE FABRIC AND IS EASILY REMOVED